

# KISSsys: Riduttori Epicicloidali

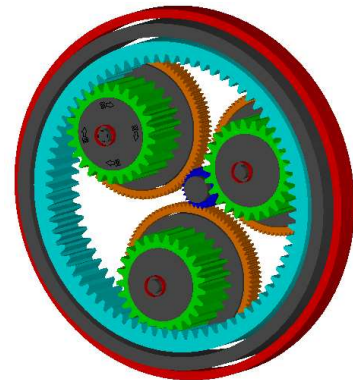
Durata: 8 ore



## “Focus sulla modellistica KISSsys di riduttori epicicloidali”

### Different kinematics of planetary gearboxes

- Presentation of different epicyclic applications
- Conventional planetary stage
- Kinematics using epicyclics and gear pairs
- Compound planetary stage

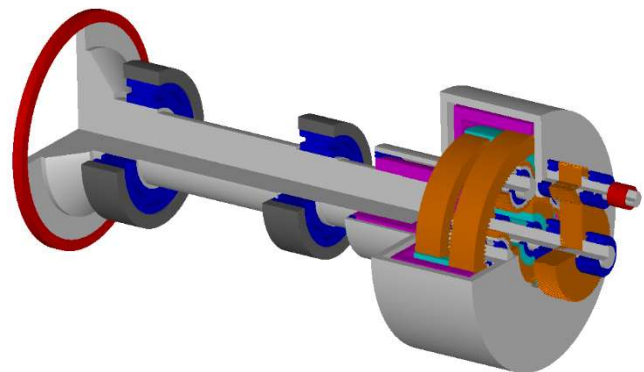


### Tooth contact analysis

- Influence of bearings, shafts and planetary carrier
- Basic gear flank modifications

### Load spectra calculation

- Gears
- Shafts and bearings



### Efficiency calculation

- Power losses
- Thermal rating

